

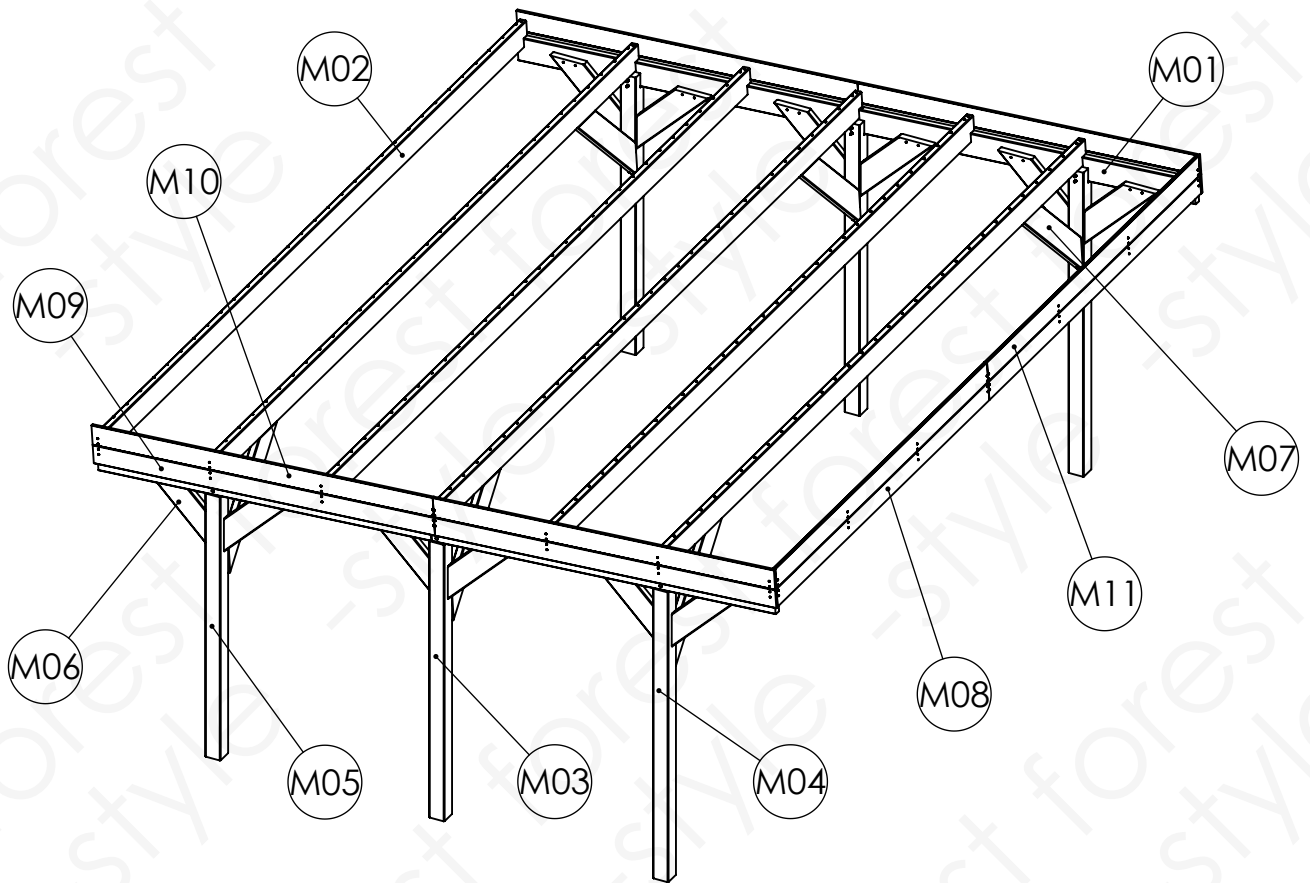
Carport DOUBLE ENZO

FSC MIX CREDIT Pine



Product description	
Navision Reference	003144
Version	3
Product Specifications	Refers to SP.ACHA.02 Specifications
Quality Requirements	Refers to R.AC.01b Defects list

	Version	Comments/Modification	Drawing by	Date of drawing	Checker by	Date of validation
Actual version	3	-3,5° roof angle (M03 + M04 length changed) -M01-the position and size of the holes - changed -Screws quantity + type updated -Position of parts M06 changed	T.Conge (M.BAK)	2019-09-17	J.Busa	2019-09-17
History	2	-Pallet drawing added -Layout updated - Grey roof	T.Conge	2018-04-03	J.Busa	2018-04-20
	1	NA	M. LECLERCQ	2014-10-23		



No. Article	Code nav	Désignation	Dimensions (mm)	Qté
M01	S04077	LON/257618050/TCM	2576x180x50	4
M02	S01725	TRA/600018050/TCM	6000x180x50	7
M03	S04078	POT/2242115115P/TCM	2242x115x115	2
M04	S04079	POT/2345115115P/TCM	2345x115x115	2
M05	S02175	POT/2140115115P/TCM	2140x115x115	2
M06	S00079	CHE/75718050/TCM	757x180x50	12
M07	S00073	CHE/107118050/TCM	1071x180x50	6
M08	S02176	PRTP-B/300015019/TCM	3000x150x19	2
M09	S02179	PRTP-B/255615019/TCM	2556x150x19	4
M10	S02178	PRTP-H/255615019/TCM	2556x150x19	4
M11	S02177	PRTP-H/300015019/TCM	3000x150x19	2
M12	K02501	POLYC/26001090	2600x1090	12

Blister S02892:

No.	Article	Description	Qty.
V01	bolts + nuts	10 x 130 mm	12
V02	screws	6 x 160 mm	38
V03	screws	5 x 80 mm	24
V04	screws	4 x 60 mm	96
V05	screws + washer	4.8 x 38 mm	224
V06	washer	10 x 30 mm	12
V07	Notice		1

REF :
003144

DESIGNATION :

Carport DOUBLE ENZO

forest-style
ENJOY YOUR GARDEN

	NAME	DATE
DRAWER	T.Conge (M.BAK)	2019-09-17
CHECKER	J.Busca	2019-09-17

NOMENCLATURE

SPECIES/MATERIAL:

Pine

TREATMENT :

autoclave Brown class III

Pcs / Pal :

1

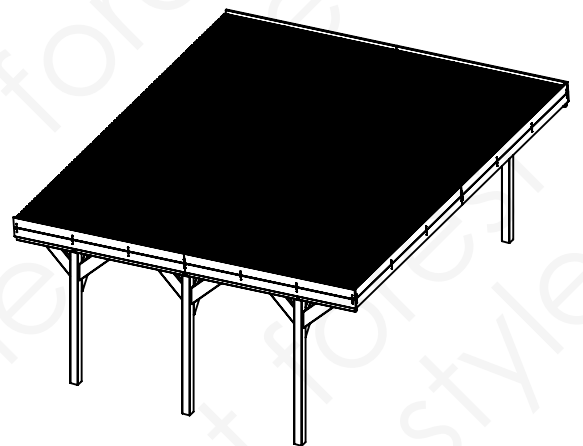
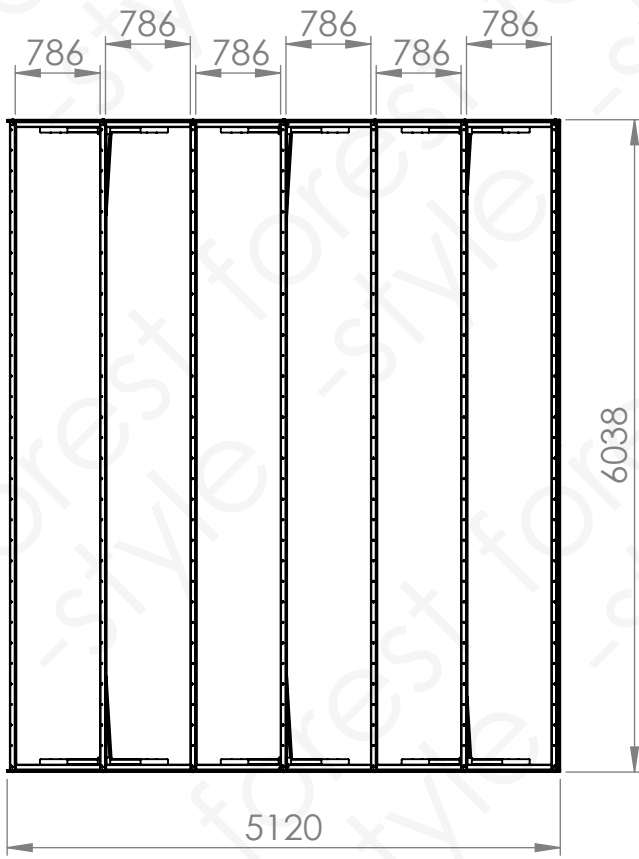
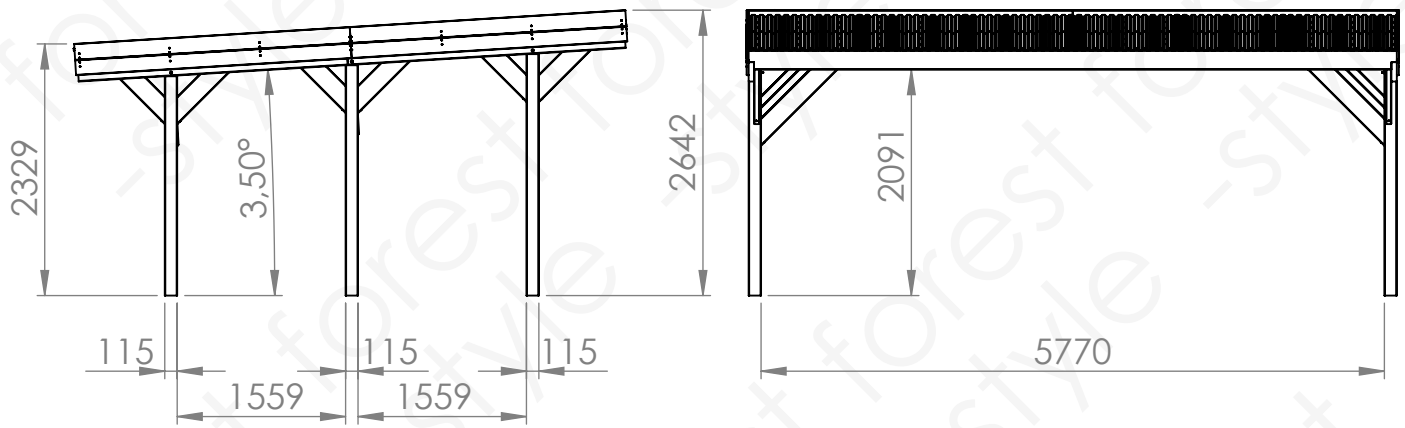
Net volume: **0.8779** (m3)


SCALE: 1:50

FOLIO: 2 / 11

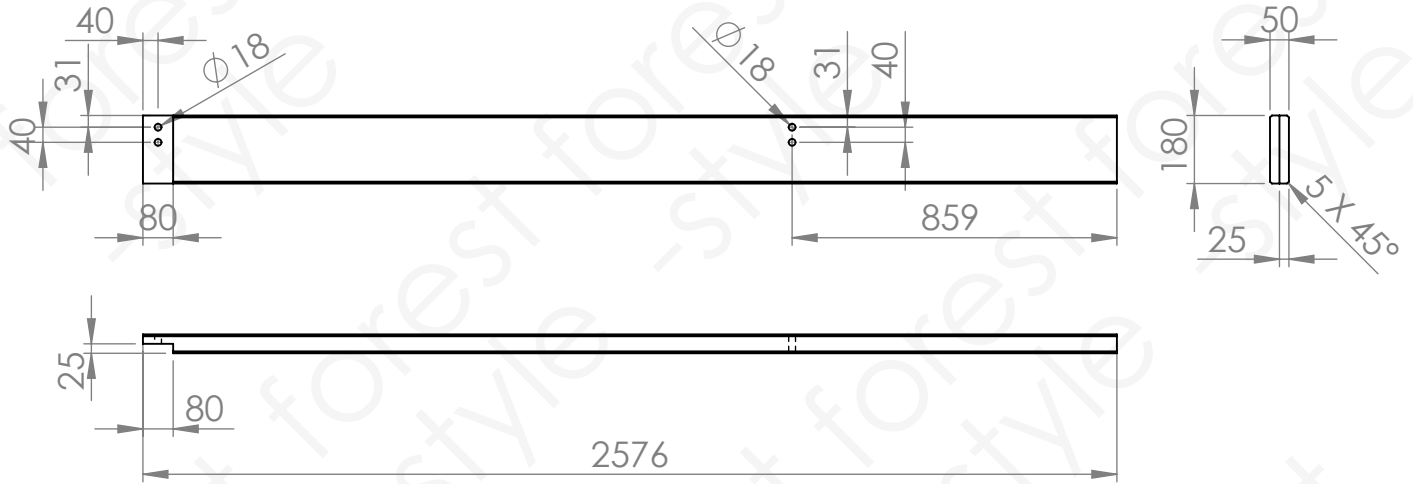
©

All rights reserved. Total or partial reproduction strictly forbidden.

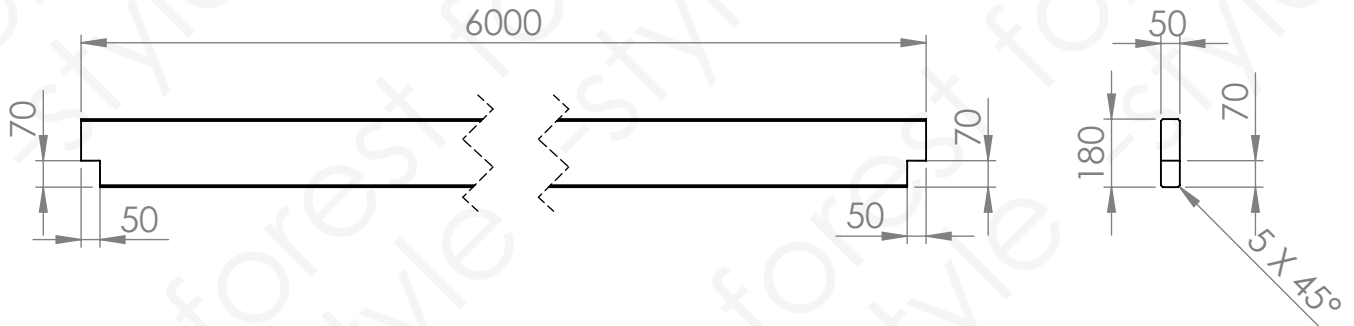


REF : 003144	DESIGNATION : Carport DOUBLE ENZO			
	DRAWER	NAME T.Conge (M.BAK)	DATE 2019-09-17	GLOBAL VIEW
	CHECKER	J.Busca	2019-09-17	
	SPECIES/MATERIAL: Pine		TREATMENT : autoclave Brown class III	Pcs / Pal : 1
	Net volume:	0.8779 (m3)	SCALE: 1:70	FOLIO : 3 / 11

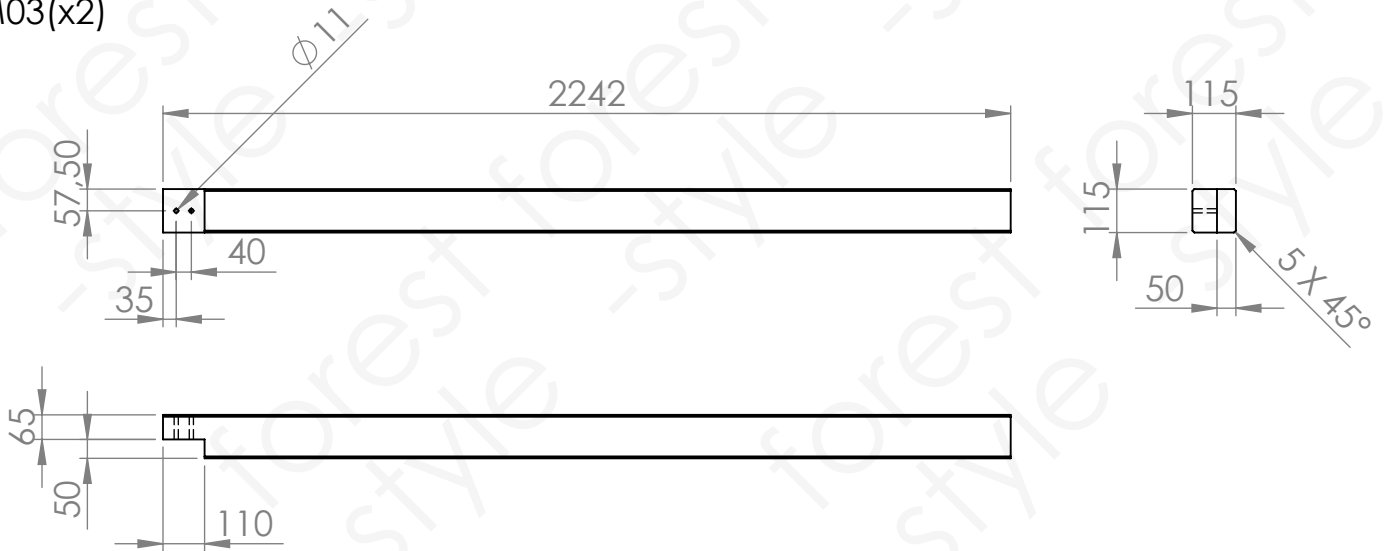
M01(x4)



M02(x7)



M03(x2)



REF :
003144

DESIGNATION :
Carport DOUBLE ENZO



	NAME	DATE
DRAWER	T.Conge (M.BAK)	2019-09-17
CHECKER	J.Busca	2019-09-17

Parts M01 (x4) , M02(x7) , M03(x2)

SPECIES/MATERIAL:
Pine

TREATMENT :
autoclave Brown class III

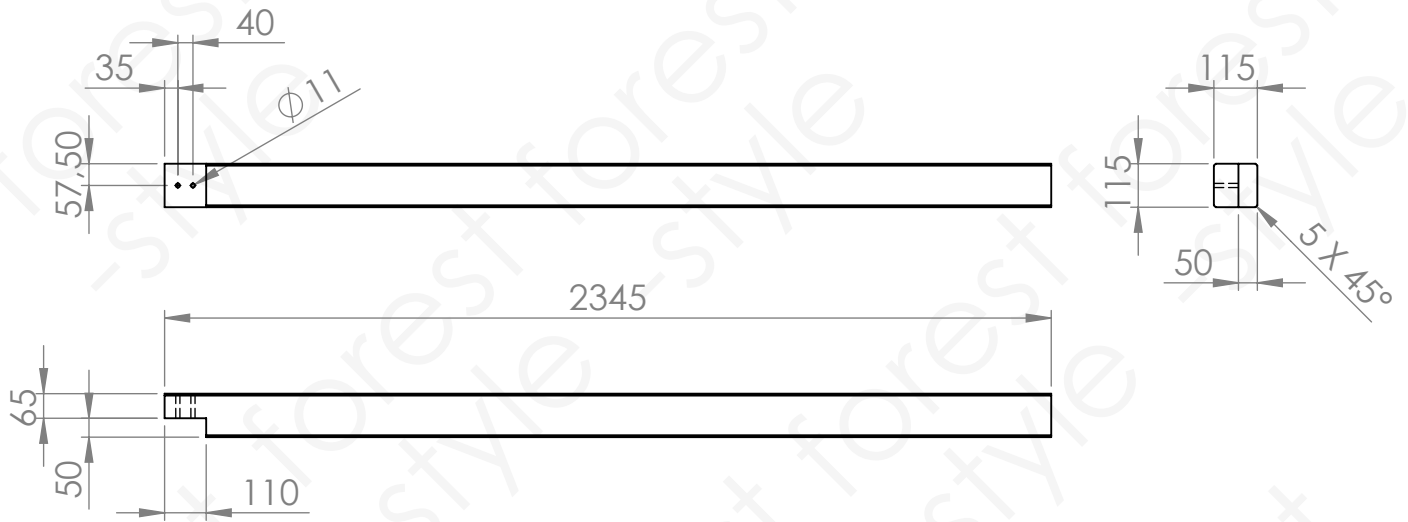
Pcs / Pal :
1

Net volume: **0.0227 (m3)**

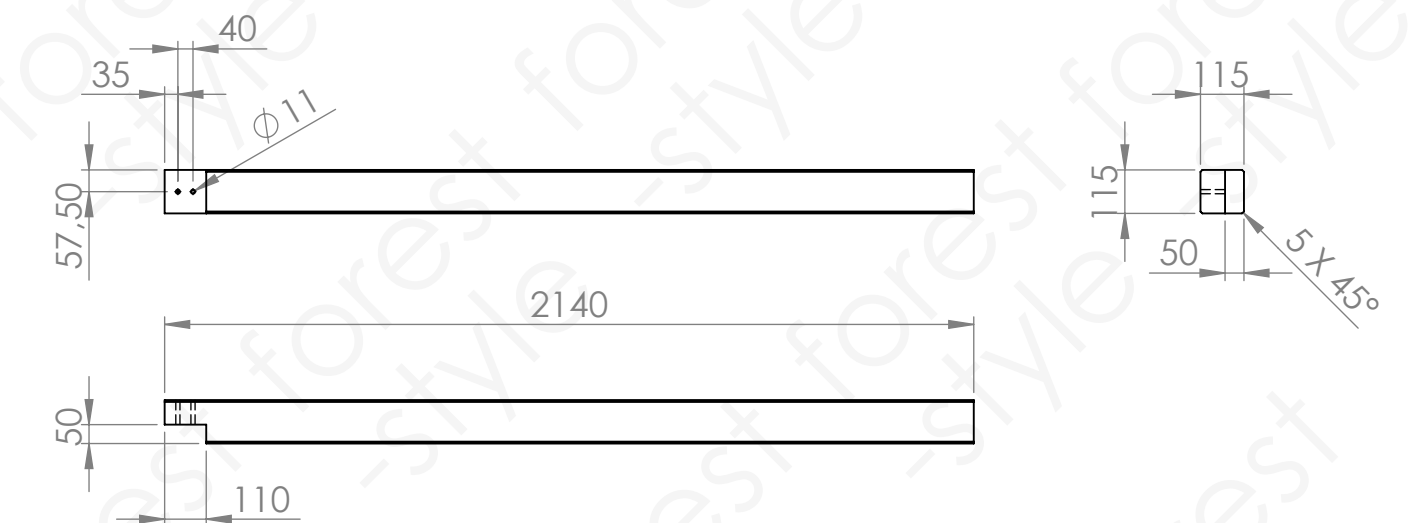
SCALE: **1:20**

FOLIO : **4 / 11**

M04(x2)



M05(x2)



M06(x12)



REF :
003144

DESIGNATION :
Carport DOUBLE ENZO



	NAME	DATE
DRAWER	T.Conge (M.BAK)	2019-09-17
CHECKER	J.Busca	2019-09-17

Parts M04(x2) , M05(x2) , M06(x12)

SPECIES/MATERIAL:
Pine

TREATMENT :
autoclave Brown class III

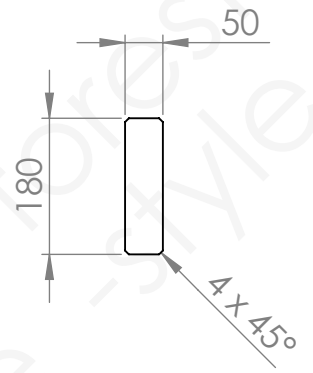
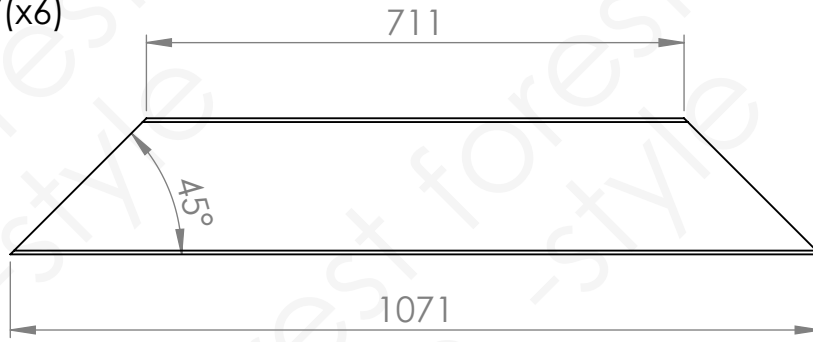
Pcs / Pal :
1

Net volume: 0.0303 (m3)

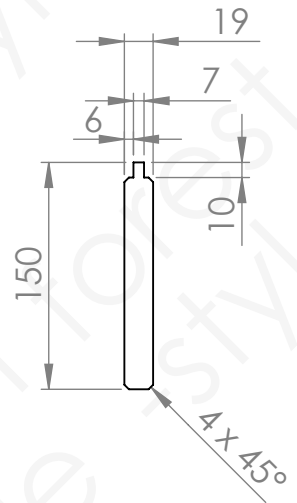
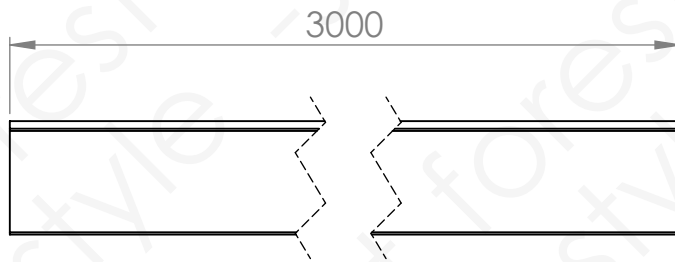
SCALE: 1:20

FOLIO : 5 / 11

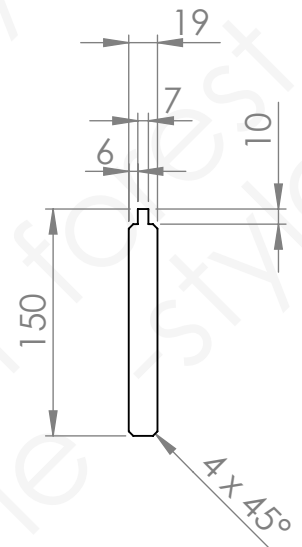
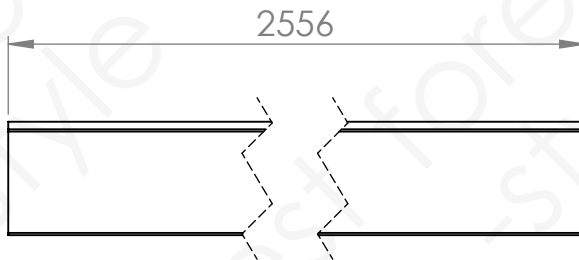
M07(x6)



M08(x2)



M09(x4)



REF :
003144

DESIGNATION :
Carport DOUBLE ENZO



	NAME	DATE
DRAWER	T.Conge (M.BAK)	2019-09-17
CHECKER	J.Busca	2019-09-17

Parts M07(x6) , M08(x2) , M09(x4)

SPECIES/MATERIAL:
Pine

TREATMENT :
autoclave Brown class III

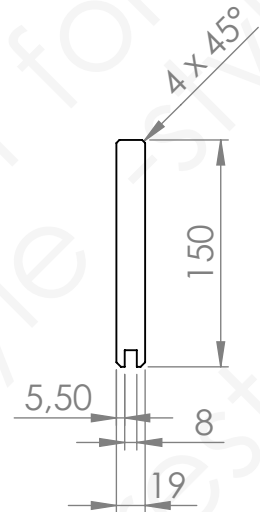
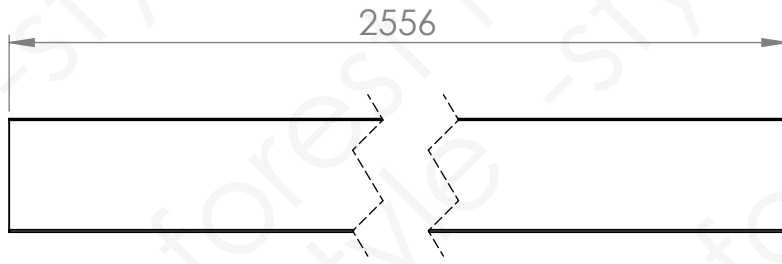
Pcs / Pal :
1

Net volume: 0.0080 (m3)

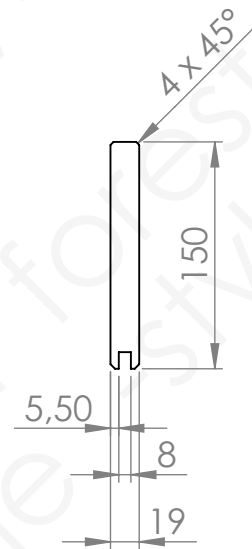
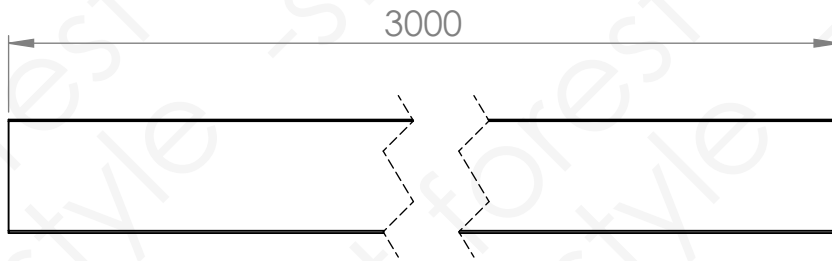
SCALE: 1:10

FOLIO : 6 / 11

M10(x4)



M11(x2)



REF :
003144

DESIGNATION :
Carport DOUBLE ENZO



	NAME	DATE
DRAWER	T.Conge (M.BAK)	2019-09-17
CHECKER	J.Busca	2019-09-17

Parts M10(x4) , M11(x2)

SPECIES/MATERIAL:
Pine
Net volume: 0.0070 (m3)

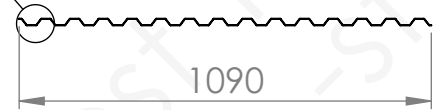
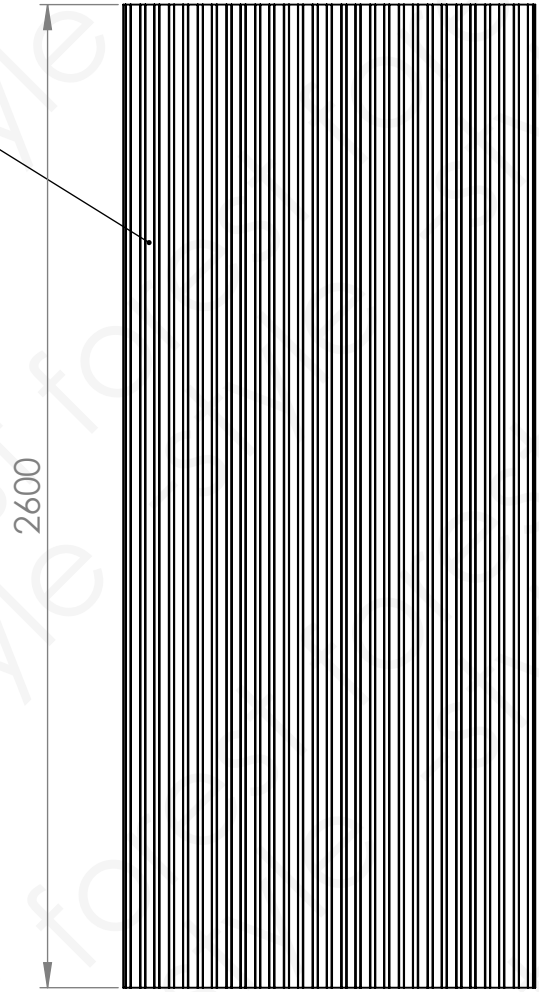
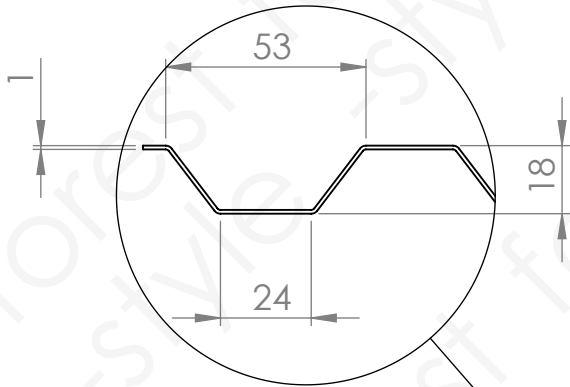
TREATMENT :
autoclave Brown class III

Pcs / Pal :
1

SCALE: 1:10 FOLIO: 7 / 11

M12(x12)

Polycarbonate



Colour	Grey
Thickness	0,8 mm
Profile	Greca
UV transmission	<2%
Treatment	Against UV upper side
Refractive index	1,58
Dimensions	According to drawing
Impact resistance	600-800 J/m

REF :
003144

DESIGNATION :

Carport DOUBLE ENZO

forest-style
ENJOY YOUR GARDEN

	NAME	DATE
DRAWER	T.Conge (M.BAK)	2019-09-17
CHECKER	J.Busca	2019-09-17

Parts M12(x12)

SPECIES/MATERIAL:
Polycarbonate

TREATMENT :
Against UV upper side - Grey

Pcs / Pal :

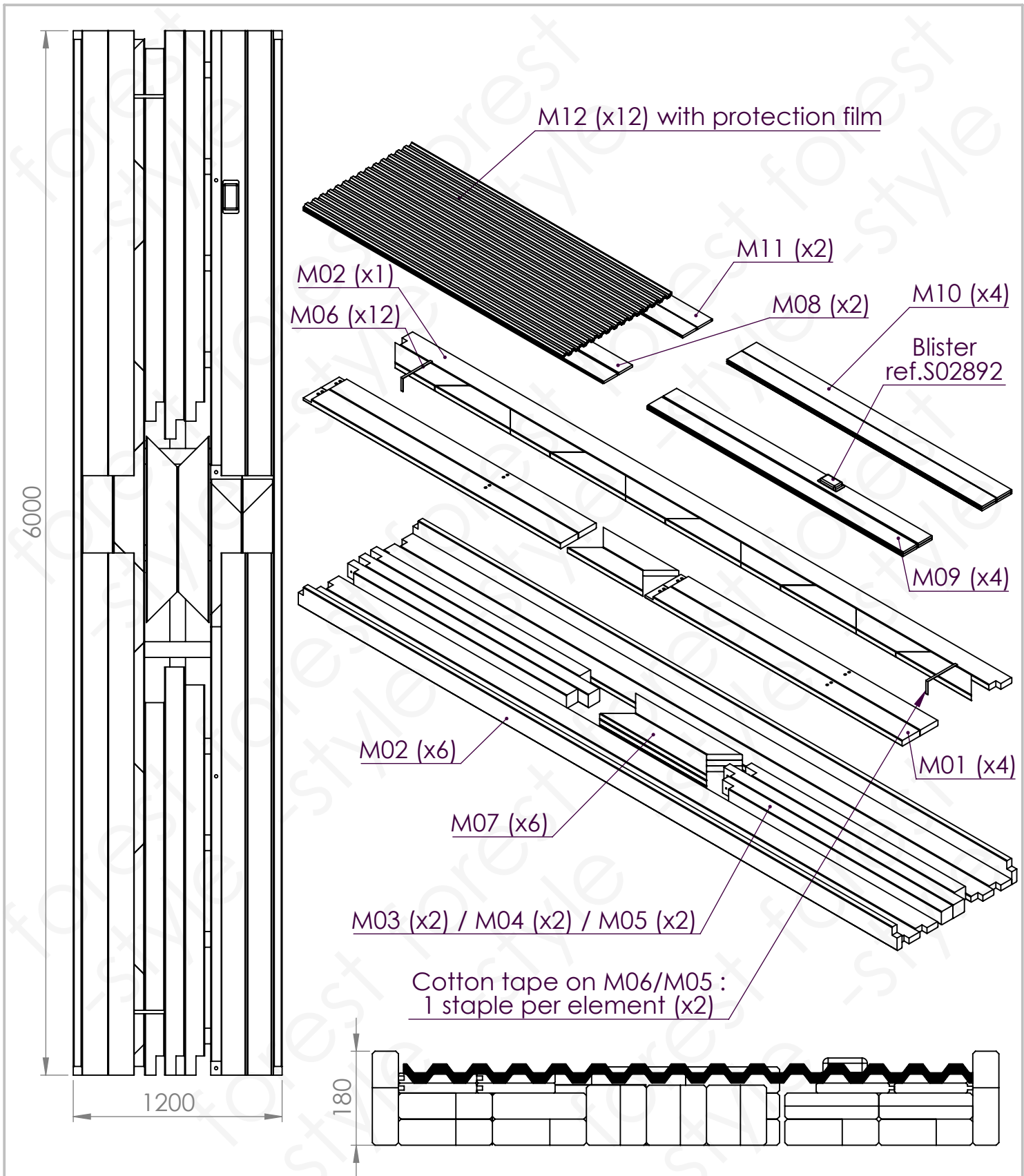
1

Net volume: 0.0035 (m3)

SCALE: 1:20

FOLIO :

8 / 11



REF :
003144

DESIGNATION :

Carport DOUBLE ENZO

forest-style
ENJOY YOUR GARDEN

	NAME	DATE
DRAWER	T.Conge (M.BAK)	2019-09-17
CHECKER	J.Busca	2019-09-17

PACKAGING

SPECIES/MATERIAL:
Pine

TREATMENT :
autoclave Brown class III

Pcs / Pal :
1

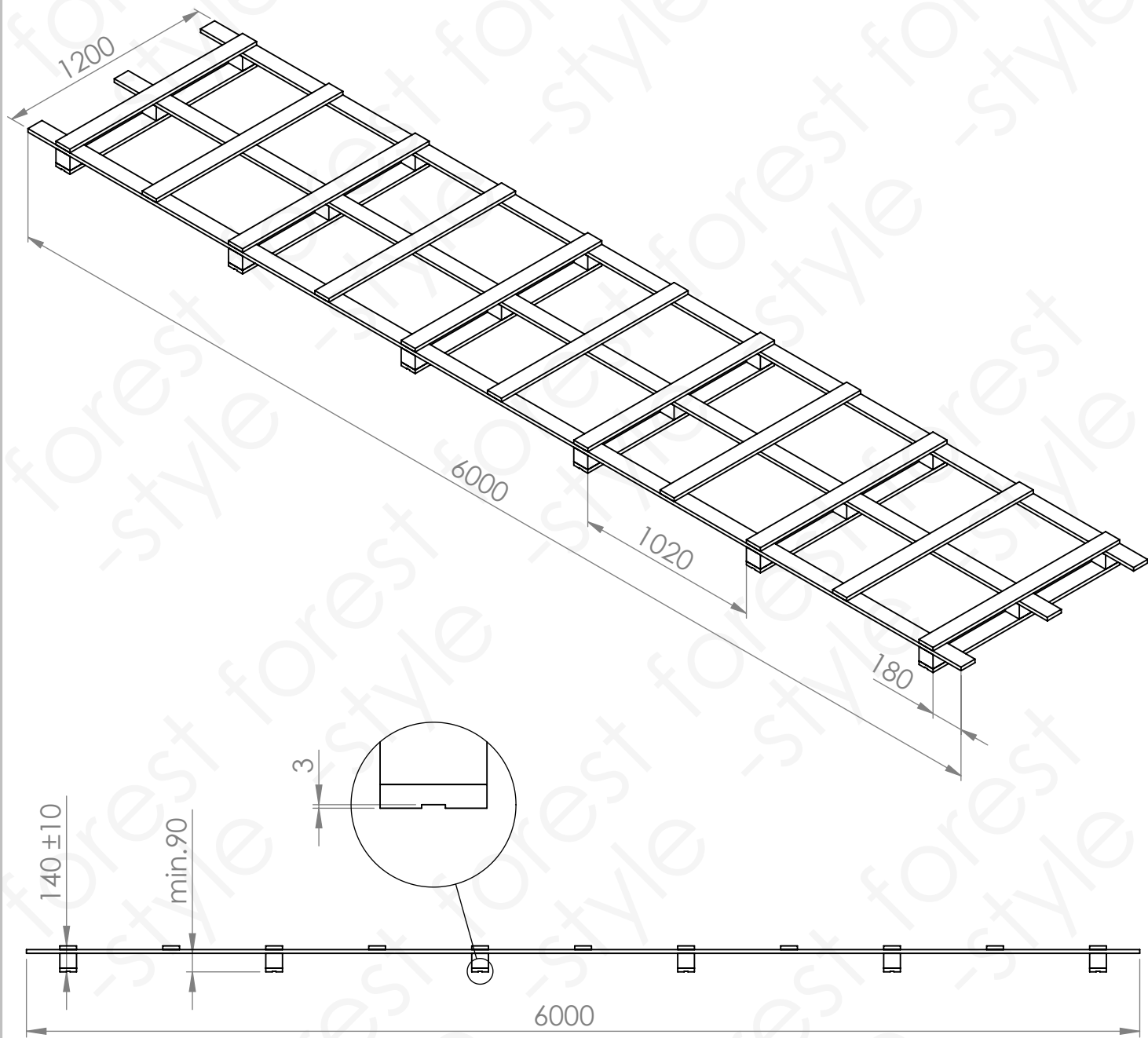
Net volume: 0.8717 (m3)

SCALE: 1:30 1:37 1:10


FOLIO : 9 / 11

©

All rights reserved. Total or partial reproduction strictly forbidden.



The pallet must be treated class III at 100% and must not contain barks. The pallet must be stored in a well-ventilated place and must be resistant to storage and transport conditions.

REF : 003144		DESIGNATION : Carport DOUBLE ENZO			
	DRAWER	NAME T.Conge (M.BAK)	DATE 2019-09-17	PALLETT	
	CHECKER	J.Busca	2019-09-17		
	SPECIES/MATERIAL: Pine		TREATMENT : autoclave Brown class III		Pcs / Pal : 1
	Net volume: 0.0804 (m3)		SCALE: 1:27 1:32	FOLIO : 10 / 11	

Polycarbonate sheets must be covered with a protection film. The protection film must be strongly attached to the product.

Protection film :

- Polypopyrlen
- opaque (white outside and black inside)
- thickness : 300 µm mini
- Lenght : 3000mm ; Width : 1200mm

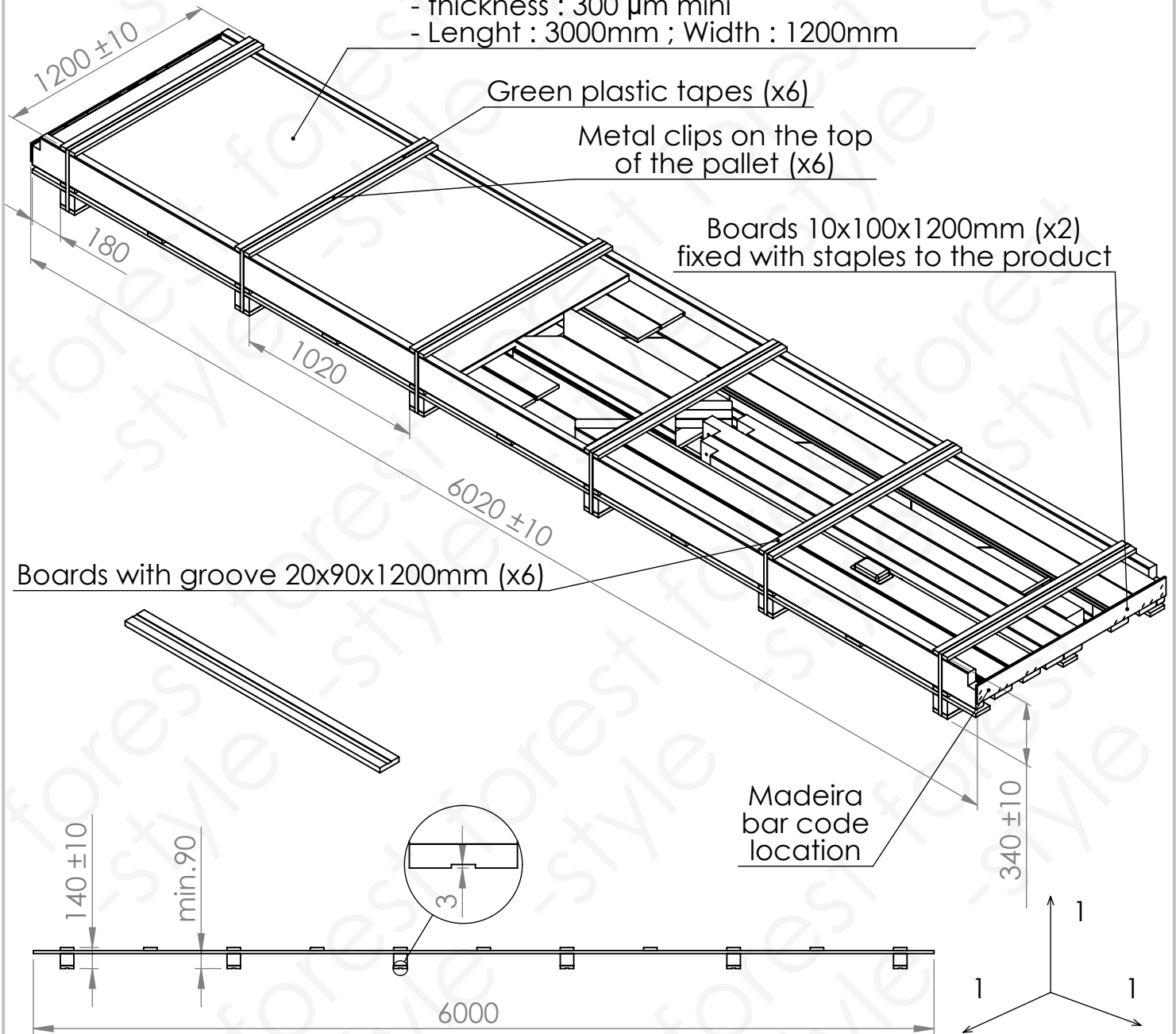
Green plastic tapes (x6)

Metal clips on the top of the pallet (x6)

Boards 10x100x1200mm (x2) fixed with staples to the product

Boards with groove 20x90x1200mm (x6)

Madeira bar code location



The pallet must be treated class III at 100% and must not contain barks. The pallet must be stored in a well-ventilated place and must be resistant to storage and transport conditions.

REF :
003144

DESIGNATION :

Carport DOUBLE ENZO

forest-style
ENJOY YOUR GARDEN

	NAME	DATE
DRAWER	T.Conge (M.BAK)	2019-09-17
CHECKER	J.Busca	2019-09-17

PALLET

SPECIES/MATERIAL:
Pine

TREATMENT :
autoclave Brown class III

Pcs / Pal :

1

Net volume: 0.9581 (m3)

SCALE: 1:27 1:40

FOLIO :

11 / 11