

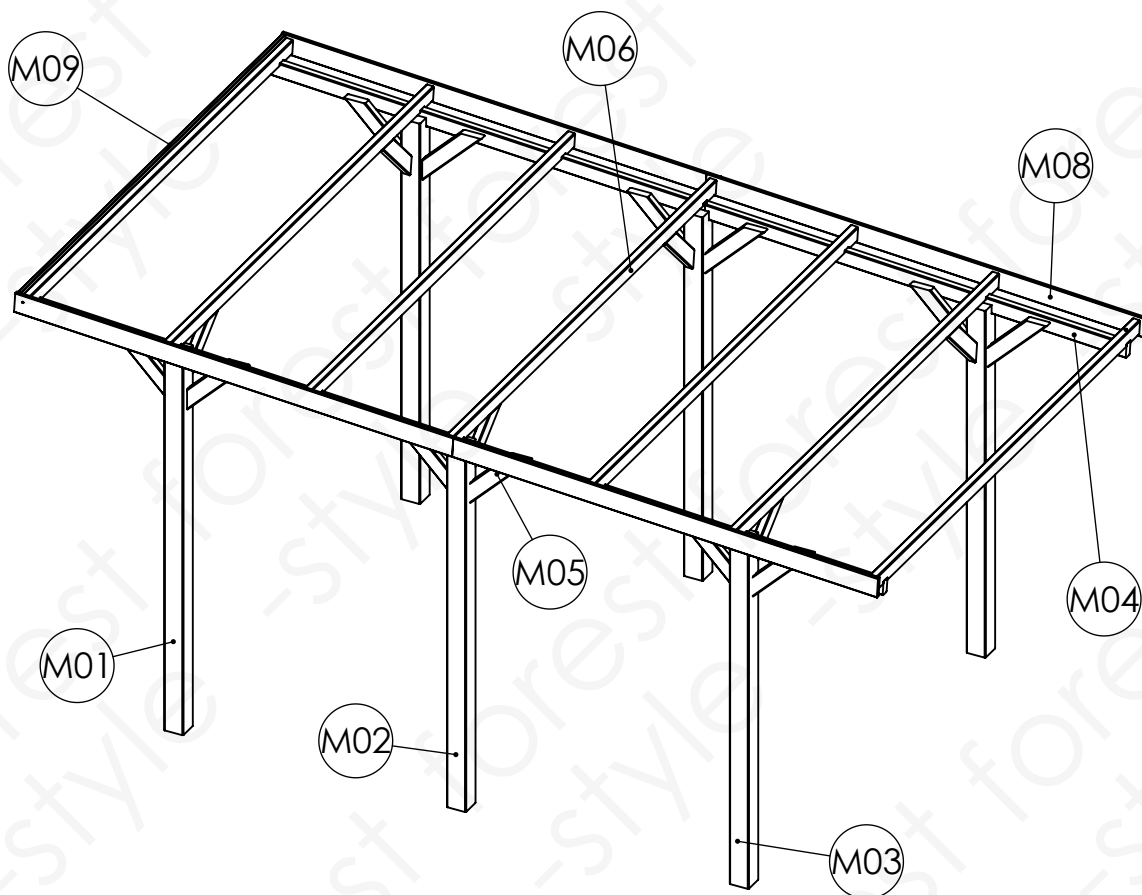
Carport ENZO

FSC MIX CREDIT Pine



Product description	
Navision Reference	003143
Version	4
Product Specifications	Refers to SP.ACHA.02 Specifications
Quality Requirements	Refers to R.AC.01b Defects list

	Version	Comments/Modification	Drawing by	Date of drawing	Checker by	Date of validation
Actual version	4	-3,5° roof angle (M01 + M02 length changed) -Screws quantity updated -Position of parts M05 changed	T.Conge (M.BAK)	2019-01-25	J.Busa	2019-09-17
History	3	Pallet updated	T.Conge	2018-05-16	J.Busa	2018-05-30
	2	-Pallet drawing added -Layout updated -Grey roof	T.Conge	2018-02-08	J.Busa	2018-04-20
	1	NA	M.Bak	2017-09-06		



Repère	Code nav	Désignation	Dimensions (mm)	Qté
M01	S04065	POT/2347115115/TCM	2347x115x115	2
M02	S04066	POT/2243115115/TCM	2243x115x115	2
M03	S01644	POT/2140115115/TCM	2140x115x115	2
M04	S00570	LON/25959045/TCM	2595x90x45	4
M05	S00077	CHE/5009045/TCM	500x90x45	18
M06	S01722	TRA/30009045/TCM	3000x90x45	7
M07	K02501	POLYC/26001090	2600x1090	6
M08	S01614	PRTP-L/262512020/TCM	2625x120x20	4
M09	S01553	PRTP/300012020/TCM	3000x120x20	1

Blister S02880:

No.	Article	Description	Qty.
1	Screw	5 x 100 mm	38
2	Screw	5 x 80 mm	36
3	Screw	4 x 40 mm	42
4	Screw	4.8 x 38	112
5	Washer EPDM	5 x 16 mm	112
6	Notice		1

REF :
003143

DESIGNATION :

Carport ENZO

forest-style
ENJOY YOUR GARDEN

	NAME	DATE
DRAWER	T.Conge (M.BAK)	2019-01-25
CHECKER	J.Busca	2019-09-17

NOMENCLATURE

SPECIES/MATERIAL:

Pine

TREATMENT :

autoclave Brown class III

Pcs / Pal :

1

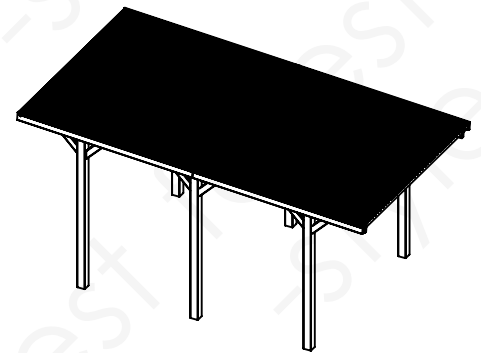
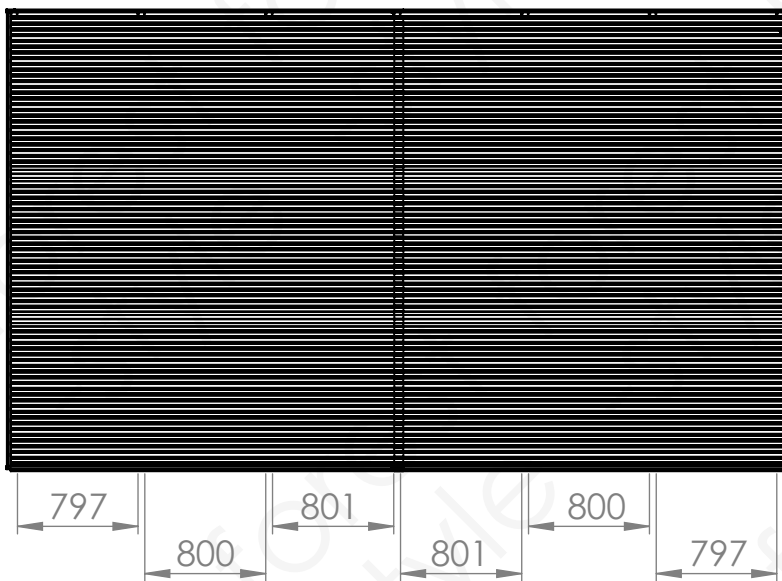
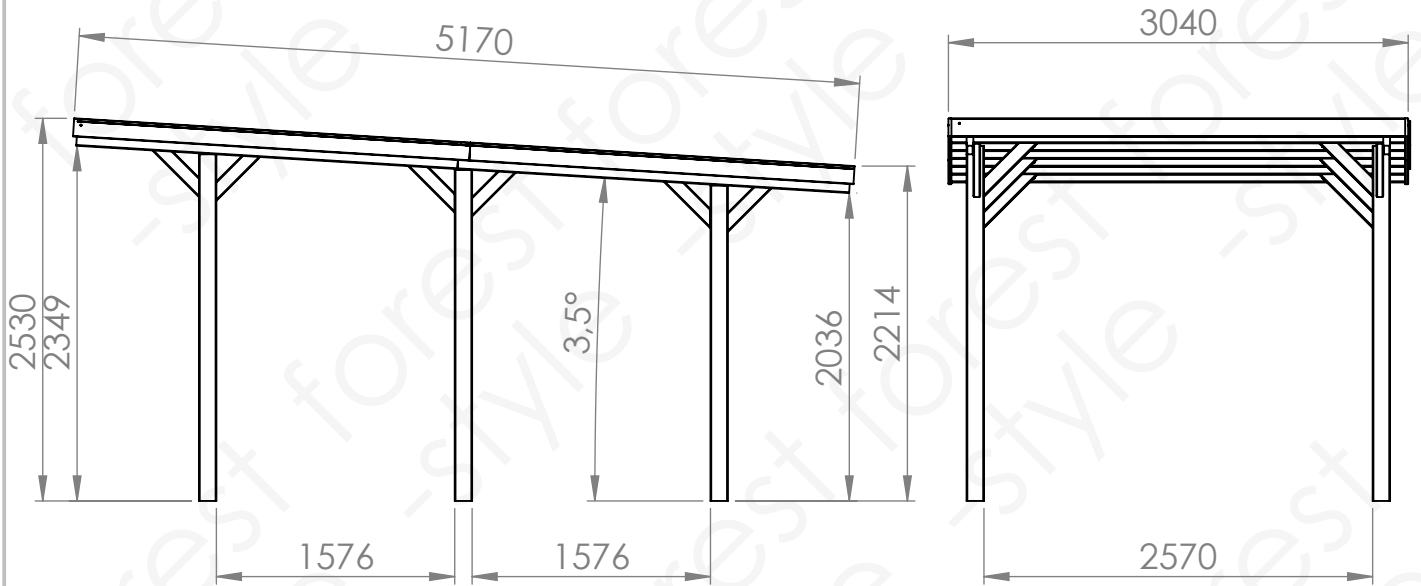
Net volume: **0.3822** (m3)


SCALE: 1:40

FOLIO: 2 / 9

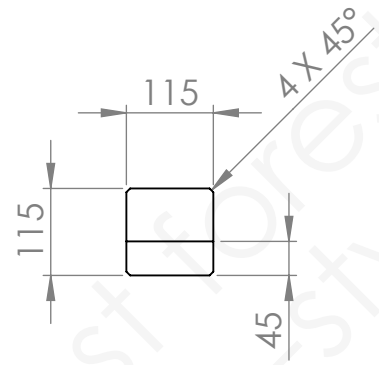
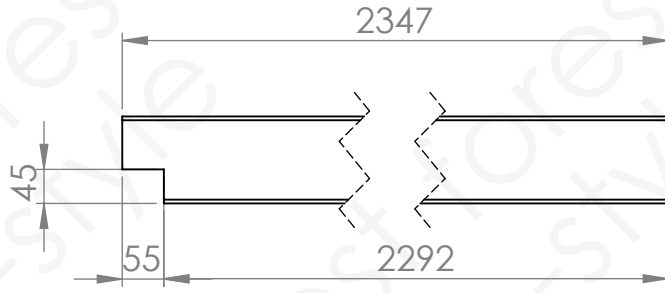
©

All rights reserved. Total or partial reproduction strictly forbidden.

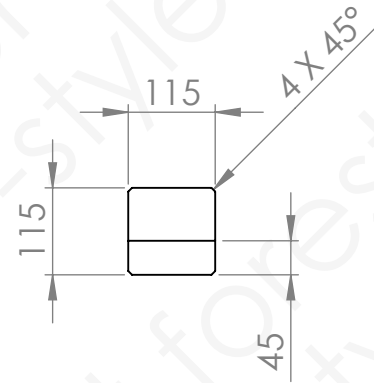
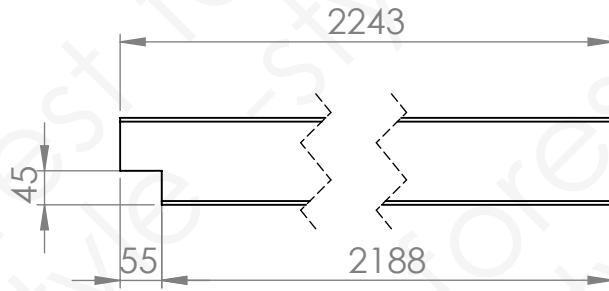


REF : 003143	DESIGNATION : Carport ENZO			
	DRAWER	NAME T.Conge (M.BAK)	DATE 2019-01-25	GLOBAL VIEW
	CHECKER	J.Busca	2019-09-17	
	SPECIES/MATERIAL: Pine		TREATMENT : autoclave Brown class III	Pcs / Pal : 1
	Net volume:	0.3822 (m3)	SCALE: 1:50	FOLIO : 3 / 9

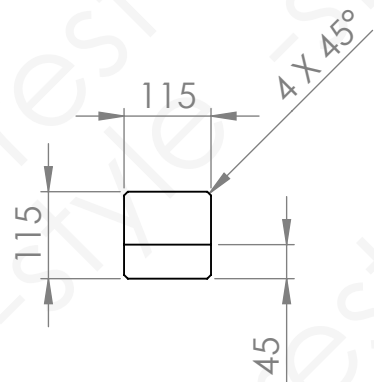
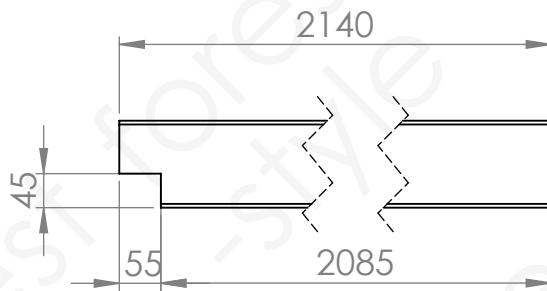
M01(x2)



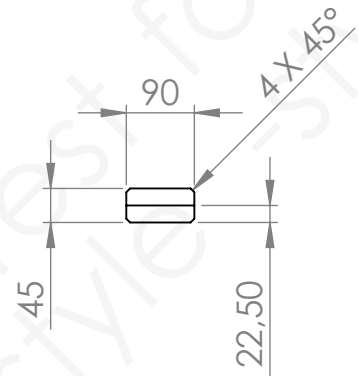
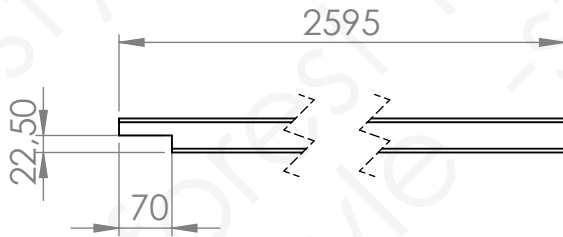
M02(x2)



M03(x2)



M04(x4)



REF :
003143

DESIGNATION :

Carport ENZO



	NAME	DATE
DRAWER	T.Conge (M.BAK)	2019-01-25
CHECKER	J.Busca	2019-09-17

Parts M01(x2) , M02(x2) , M03(x2) , M04(x4)

SPECIES/MATERIAL:
Pine

TREATMENT :
autoclave Brown class III

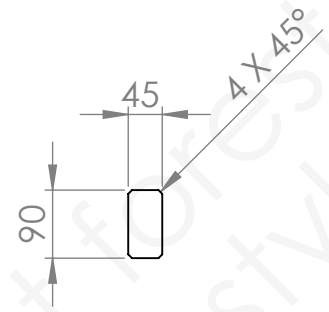
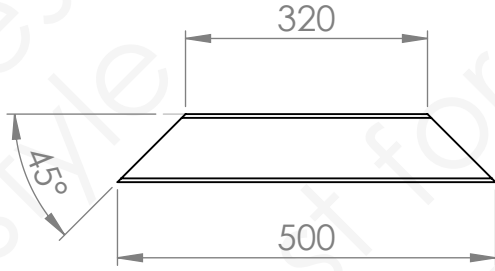
Pcs / Pal :
1

Net volume: 0.0306 (m3)

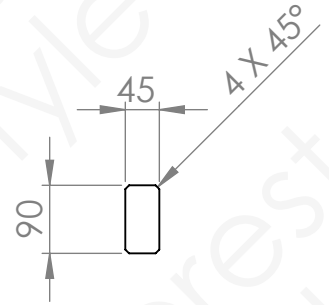
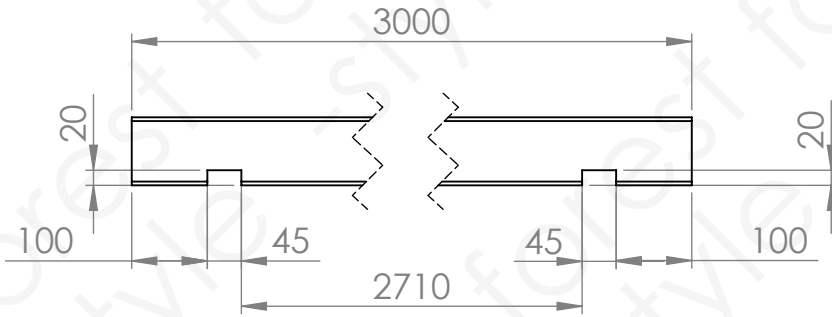
SCALE: 1:10

FOLIO : 4 / 9

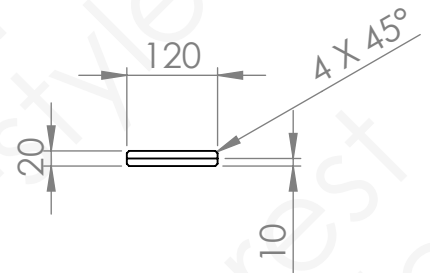
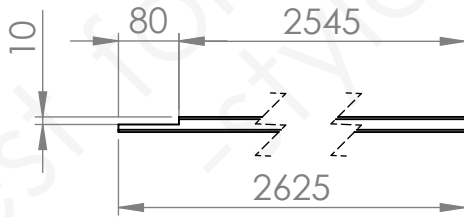
M05(x18)



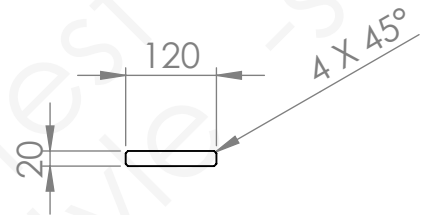
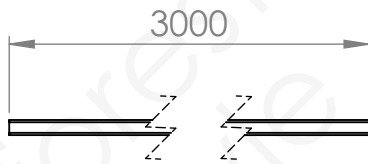
M06(x7)



M08(x4)



M09(x1)



REF :
003143

DESIGNATION :

Carport ENZO



	NAME	DATE
DRAWER	T.Conge (M.BAK)	2019-01-25
CHECKER	J.Busca	2019-09-17

Parts M05(x18) , M06(x7) , M08(x4) , M09(x1)

SPECIES/MATERIAL:
Pine

TREATMENT :
autoclave Brown class III

Pcs / Pal :
1

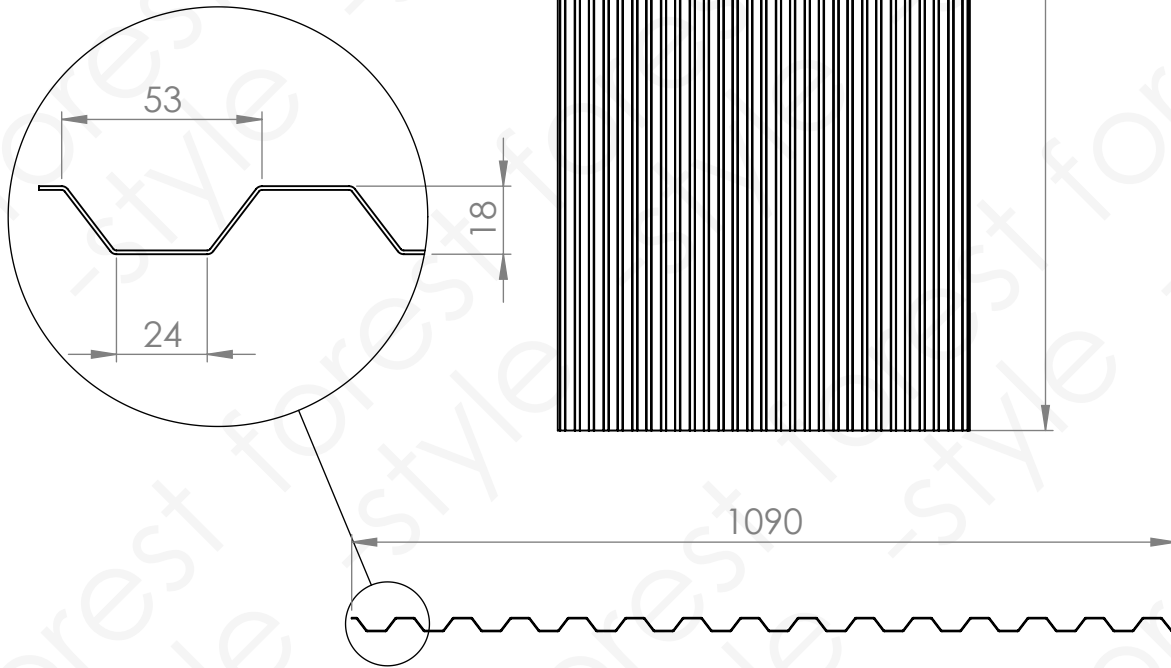
Net volume: 0.0016 (m3)

SCALE: 1:10

FOLIO : 5 / 9

M07 (x6)

Polycarbonate



Colour	Grey
Thickness	0,8 mm
Profile	Greca
UV transmission	<2%
Treatment	Against UV upper side
Refractive index	1,58
Dimensions	According to drawing
Impact resistance	600-800 J/m

REF :
003143

DESIGNATION :

Carport ENZO

forest-style
ENJOY YOUR GARDEN

	NAME	DATE
DRAWER	T.Conge (M.BAK)	2019-01-25
CHECKER	J.Busca	2019-09-17

Part M07 (x6)

Pcs / Pal :

1

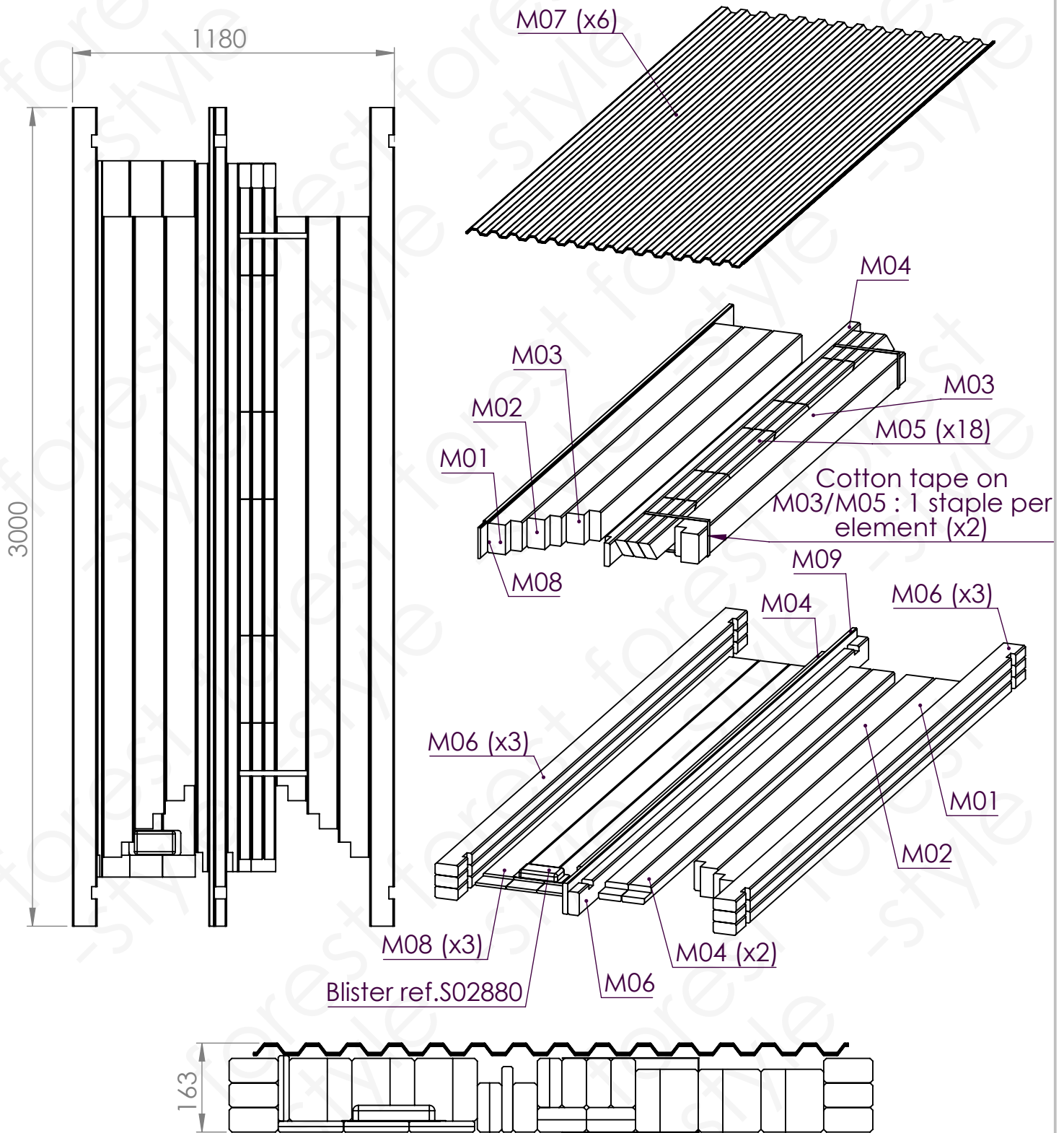
Net volume: 0.0035 (m3)

SCALE: 1:20

FOLIO : 6 / 9

©

All rights reserved. Total or partial reproduction strictly forbidden.



REF :
003143

DESIGNATION :

Carport ENZO

forest-style
ENJOY YOUR GARDEN

	NAME	DATE
DRAWER	T.Conge (M.BAK)	2019-01-25
CHECKER	J.Busca	2019-09-17

Packaging

SPECIES/MATERIAL:
Pine

TREATMENT :
autoclave Brown class III

Pcs / Pal :
1

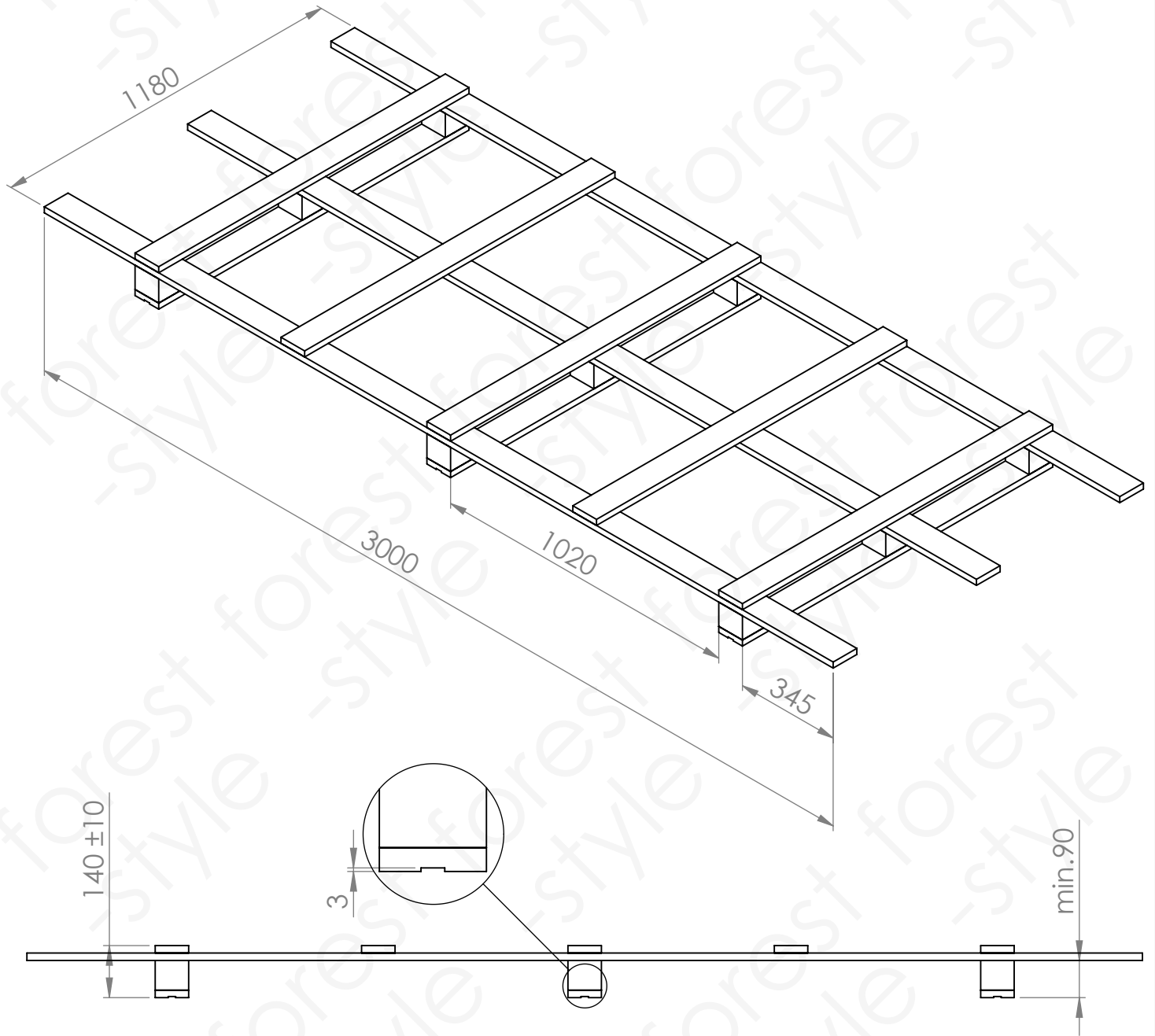
Net volume: 0.3824 (m3)

SCALE: 1:20


FOLIO : 7 / 9

©

All rights reserved. Total or partial reproduction strictly forbidden.



The pallet must be treated class III at 100% and must not contain barks. The pallet must be stored in a well-ventilated place and must be resistant to storage and transport conditions.

REF : 003143	DESIGNATION : Carport ENZO			
 ENJOY YOUR GARDEN	DRAWER	NAME T.Conge (M.BAK)	DATE 2019-01-25	Pallet
	CHECKER	J.Busca	2019-09-17	
	SPECIES/MATERIAL: Pine		TREATMENT : autoclave Brown class III	Pcs / Pal : 1
	Net volume: 0.0388 (m3)		SCALE: 1: 16	FOLIO : 8 / 9

Boards with groove
20x90x1180mm (x3)

Polycarbonate sheets must be covered with a protection film. The protection film must be strongly attached to the product.

Protection film :
 - Polypopyren
 - opaque (white outside and black inside)
 - thickness : 300 µm mini
 - Lenght : 3000mm ; Width : 1200mm

Boards 10x100x1180mm (x2)
Fixed with staples to the product

Metal clips
location (x3)

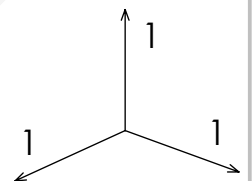
Madeira
bar code
location

3020 ±10

Blocs 45x45x90mm (x6)
Fixed with nails to the top boards

340 ±10

Green plastic tapes (x3)



The pallet must be treated class III at 100% and must not contain barks. The pallet must be stored in a well-ventilated place and must be resistant to storage and transport conditions.

REF :
003143

DESIGNATION :
Carport ENZO



	NAME	DATE
DRAWER	T.Conge (M.BAK)	2019-01-25
CHECKER	J.Busca	2019-09-17

Pallet + Packaging

SPECIES/MATERIAL:
Pine

TREATMENT :
autoclave Brown class III

Pcs / Pal :
1

Net volume: 0.4346 (m3)

SCALE: 1:20

FOLIO : 9 / 9